

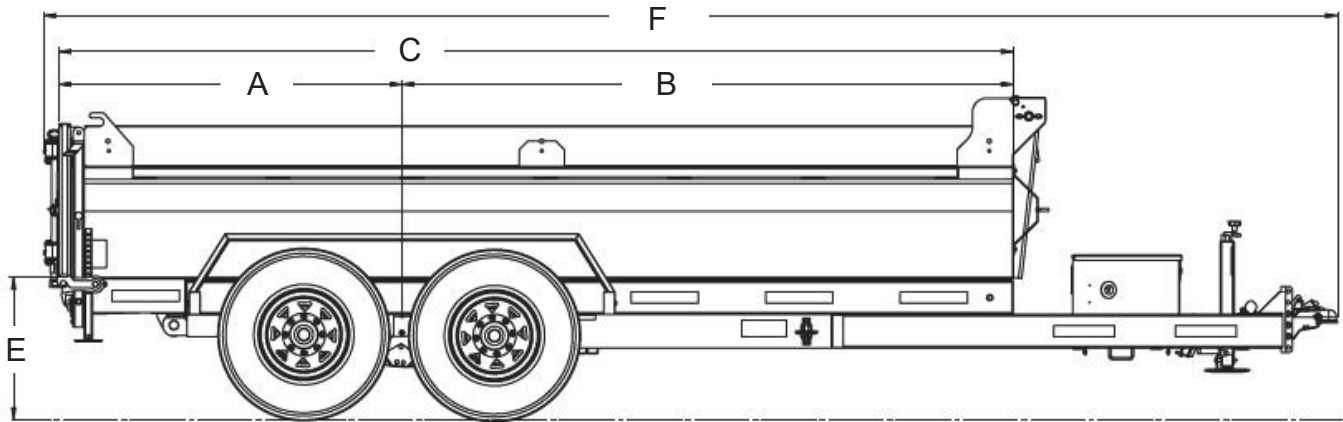


## Standard Features

- 14' Box Length
- 7' Box Width
- 8' 5" Overall Width
- 10 GA Floor
- Aluminum Slide In Ramps
- Spare Tire Carrier
- Welded Fenders
- Stake Pockets & Rub Rails
- Tarp
- Slam Lock, 3-Way Tailgate
- Aluminum Tool Box
- Breakaway Kit
- Protected Wiring
- LED Lighting Package
- Fully Enclosed Wiring
- Bolt-on Safety chains & Hooks
- Lippert Brand Axles
- Radial 10 Ply Tires
- Steel Component cleaned with Steel Shot Blast
- PPG Paint with Two Way Hardener

## Specifications

<b>Tailgate:</b>	3-Way Tailgate, Slam Lock	<b>Coupler:</b>	2 5/16"
<b>Lights:</b>	L.E.D. DOT Stop, Tail, Turn, & Clearance	<b>Tires:</b>	ST235/80R 16 E
<b>Suspension:</b>	Multi-Leaf Spring w/ Equalizer	<b>Rims:</b>	16 x 6; Steel 8 Bolt
<b>Safety Chains:</b>	16,200# 3/8" x 35" w/Clevis Slip Hook	<b>Brakes:</b>	Electric
<b>Jack:</b>	7,000 lbs. Topwind	<b>Frame:</b>	6" x 2" HSS Tube
<b>Hoist:</b>	13 Ton Double Acting Hydraulic Underbody Hoist	<b>Crossmember:</b>	N/A
<b>Fenders:</b>	75.875" x 9" x 10", 14 GA Checkerplate	<b>Tongue:</b>	6" x 2" HSS Tube
<b>Floor:</b>	10 GA Steel Sheet	<b>Electric Plug:</b>	7 Wire RV Plug
<b>Axle:</b>	(2) 8000# w/ Electric Brakes		



## Dimensions

Model	A	B	C	D	E	F
SL714-16K	61 3/16"	109 1/16"	170 1/4" x 84"	N/A	25 5/16"	230 13/16"

Model	Description	Net Weight	GVWR	Payload Cap.
SL714-16K	7' x 14' 16,000 lbs. Tandem Axle Black/Charcoal	3,703 lbs.	16,000 lbs.	12,297 lbs.

## Standard Parts

**Part# 2028** – AXLE 80-865E 93.0" X 79.0" STR EYE TO EYE U/S

**Part# 2440** – LIGHT LICENSE PLATE SURFACE MOUNT MINI CHROME - LED

**Part# 51105** – JUNC BOX AND 6FT LEAD PACKAGE

**Part#57637** – LIGHT STOP TURN TAIL RED 6.5" X 2.5" OVAL LED – 10 DIODE

**Part# 1879** – BREAKAWAY SWITCH C/W PULL PIN

**Part#87997** – TOOLBOX ALUMINUM TRAILER TONGUE STYLE W/ GAS SHOCK

**Part# 843** – COUPLER CHANNEL MOUNT 22,000# 2.3125" - W/ 6 HOLE CHANNEL & HARDWARE

**Part#76835REV1** – RAMP ALUMINUM 6FT CHANNEL SLIDE UNDER

**Part# 77748** – FENDER TANDEM STEEL 75.875" X 9" X 10" - 14 GA CHECKERPLATE

**Part#51120** – HYDRAULIC POWER UNIT 12V ELECTRIC DOUBLE ACTING

**Part# 2239** – JACK TOPWIND 7000# WELD-ON 15.0" LIFT DROP LEG SQUARE

**Part# 71384** – TARP 6.5' X 18.0' C/W HARDWARE KIT

**Part# 1329** – LIGHT CLEARANCE AMBER 0.6875" ROUND LED W/ GROMMET

**Part# 51585** – TIRE ASSEMBLY 235/80R16 E 10 PLY 8 HOLE BLACK

**Part#1332** – LIGHT CLEARANCE RED 0.6875" ROUND LED W/ GROMMET



Specs are subject to change without notice. Please contact Southland Trailer Corp Product Specialist for price confirmation on all Products. - Revised February 2023