



SOUTHLAND
TRAILER CORP.

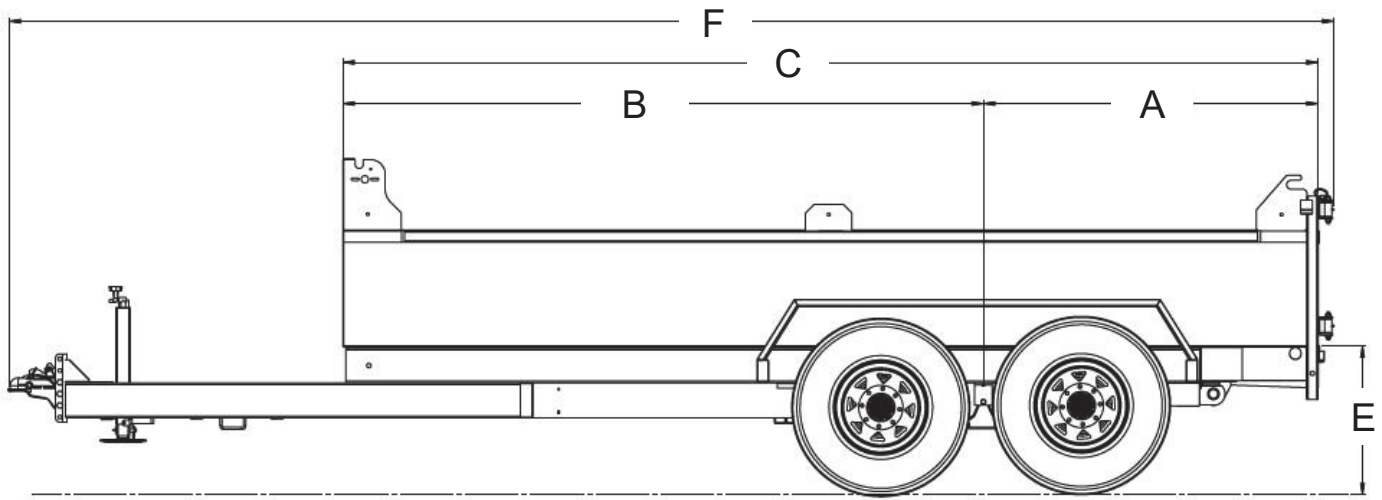
SL714-14K
7' x 14', 14,000 lbs.
Tandem Axle Dump Trailer



Standard Features

- 14' Box Length
- 7' Box Width
- 8' 5" Overall Width
- 10 GA Floor
- Heavy Duty Steel Ramps
- Spare Tire Carrier
- Welded Fenders
- Stake Pockets & Rub Rails
- Tarp
- Slam Lock, Double Door Tailgate
- Aluminum Tool Box
- Breakaway Kit
- Protected Wiring
- LED Lighting Package
- Fully Enclosed Wiring
- Bolt-on Safety chains & Hooks
- Lippert Brand Axles
- Radial 10 Ply Tires
- Steel Component cleaned with Steel Shot Blast
- PPG Paint with Two Way Hardener

Tailgate:	Double Door Tailgate/Slam Lock	Coupler:	2 5/16"
Lights:	L.E.D. DOT Stop, Tail, Turn, & Clearance	Tires:	ST235/80R 16 E
Suspension:	Multi-Leaf Spring w/ Equalizer	Rims:	16 x 6; Steel 8 Bolt
Safety Chains:	16,200# 3/8" x 35" w/Clevis Slip Hook	Brakes:	Electric
Jack:	5,000 lbs. Topwind	Frame:	6" x 2" HSS Tube
Hoist:	8 Ton Double Acting Hydraulic Underbody Hoist	Crossmember:	N/A
Fenders:	75.75" x 9.5" x 10.25", 14 GA Checkerplate	Tongue:	6" x 2" HSS Tube
Floor:	10 GA Steel Sheet	Electric Plug:	7 Wire RV Plug
Axle:	(2) 7000# w/ Electric Brakes		



Dimensions

Model	A	B	C	D	E	F
SL714-14K	57 11/16"	110 3/8"	168 1/8" x 84"	N/A	25 5/8"	25 5/8"

Model	Description	Net Weight	GVWR	Payload Cap.
SL714-14K	7' x 14' 14,000 lbs. Tandem Axle Black/Charcoal	3,123 lbs.	15,400 lbs.	12,277 lbs.

Standard Parts

Part# 63208 – AXLE 70-865E 93.0" X 79.0" STR EYE TO EYE U/S

Part# 2440 – LIGHT LICENSE PLATE SURFACE MOUNT MINI CHROME - LED

Part# 51105 – JUNC BOX AND 6FT LEAD PACKAGE

Part#2380 – LIGHT STOP TURN TAIL RED 12.625" X 1.5" STRIP SURFACE MOUNT LED

Part# 1879 – BREAKAWAY SWITCH C/W PULL PIN

Part#87997 – TOOLBOX ALUMINUM TRAILER TONGUE STYLE W/ GAS SHOCK

Part# 63022 – COUPLER CHANNEL MOUNT 14000# 2.3125" - W/ 6 HOLE CHANNEL & HARDWARE

Part#4997 – ECONO RAMP – STEEL 6FT HEAVY DUTY - BLACK

Part# 1796 – FENDER TANDEM STEEL 75.75" X 9.5" X 10.25" - 14 GA CHECKERPLATE

Part#51120 – HYDRAULIC POWER UNIT 12V ELECTRIC DOUBLE ACTING

Part# 67360 – JACK TOPWIND 5000# WELD-ON 15.0" LIFT DROP LEG SQUARE

Part# 75476 – TARP 6.0' X 14.0' C/W HARDWARE KIT

Part# 1329 – LIGHT CLEARANCE AMBER 0.6875" ROUND LED W/ GROMMET

Part# 51585 – TIRE ASSEMBLY 235/80R16 E 10 PLY 8 HOLE BLACK

Part#1332 – LIGHT CLEARANCE RED 0.6875" ROUND LED W/ GROMMET



Specs are subject to change without notice. Please contact Southland Trailer Corp Product Specialist for price confirmation on all Products. - Revised February 2023